



# HAWKER®

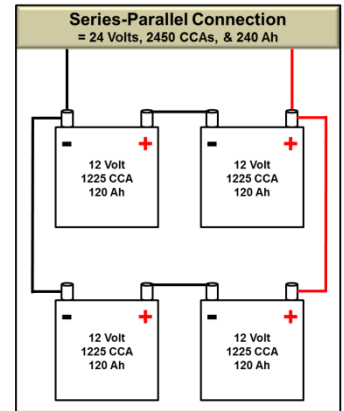
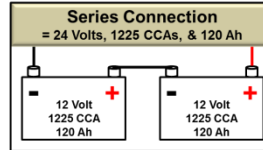
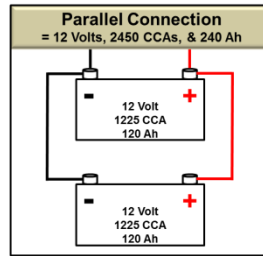
# Headlines

## Winter 2014 edition

### Quick Tips!

#### Basic battery configurations:

- Parallel (rare in the military fleet)
  - Series (e.g., HMMWV, MTVR, TQGs)
  - Series-Parallel (e.g., FMTV, LVS, HEMTT, PLS, HETS, M915, M916, ASV, MRAP, Stryker, LAV, M113)
    - Note: the M1A1/2 has 6 batteries in series-parallel & the M1A2 SEP has two sets of 6 batteries with each set in series-parallel
- \* Note: diagram voltages and CCAs are nominal



### Answer to question from last issue:

**Should I charge multiple batteries individually or together as a system?** Multiple batteries can be charged as a system...that's how the vehicle's alternator or generator does it. **However**, if there are differences between each battery's voltage (by 1 or more volts) in the battery pack...**they should be charged individually.**

### Did you know:

that there are many ways to identify the positive & negative terminals on a Hawker® Armasafe Plus™ 6TAGM battery...**even in low- or no-light situations?**

- Out-of-the-box, the positive terminal has a red cap, the negative terminal has a black cap
- The top of each terminal is stamped with either "+" or "-"
- Beside each terminal, the plastic case is embossed with either "+" or "-"
- The positive terminal is larger in diameter
- The positive terminal has a round, red sticker that surrounds it
- **The positive terminal side has raised ridges above Armasafe Plus™ sticker**



### Training:

Since last issue the WI ARNG, IA ARNG, TX ARNG, JTF-CS, Red River Army Depot, & MCB Camp Pendleton received **FREE** battery maintenance and recovery training (BMRT). **Isn't it your turn???**

**Contact a Hawker® FSR today!**



Check out our website at: [www.hawkeraplus.com](http://www.hawkeraplus.com)

Call us at 877-485-1472

Connect with us on:



**Next Issue:**  
Is a voltmeter or multi-meter sufficient to test and evaluate a battery?



NSN: 6140-01-485-1472  
Part #: 9750N7025

### Questions?